

1.0 mm Column

Product Data Sheet

BioVersal™
Metal-Free



Microbore



Smooth ID for Efficient Packing



High Packing Pressure



Patented PLS Tube

BioVersal™

CONTINUOUS USE
25,000 psi

OPERATIONAL
UP TO
80°C

EXCELLENT
DURABILITY OVER
HUNDREDS
OF INJECTIONS

Our 1.0 mm bioinert column hardware is designed for robustness when packing columns used for microbore applications. The unique column technology utilizes IDEX Health & Sciences patented PEEK lined stainless steel. The PEEK lined stainless steel lining provides a metal-free pathway and the structural integrity to pack small particle substrates up to 40K psi. It also provides a consistent and smooth surface to reduce the fronting effects common with microbore stainless steel column tubes. In operation, the 1.0 mm column can withstand temperatures up to 80°C and can be continually subjected to 25K psi for hundreds of injections without sample peak degradation. For easy identification each column is laser marked identifying its inside diameter, and lot number for traceability.



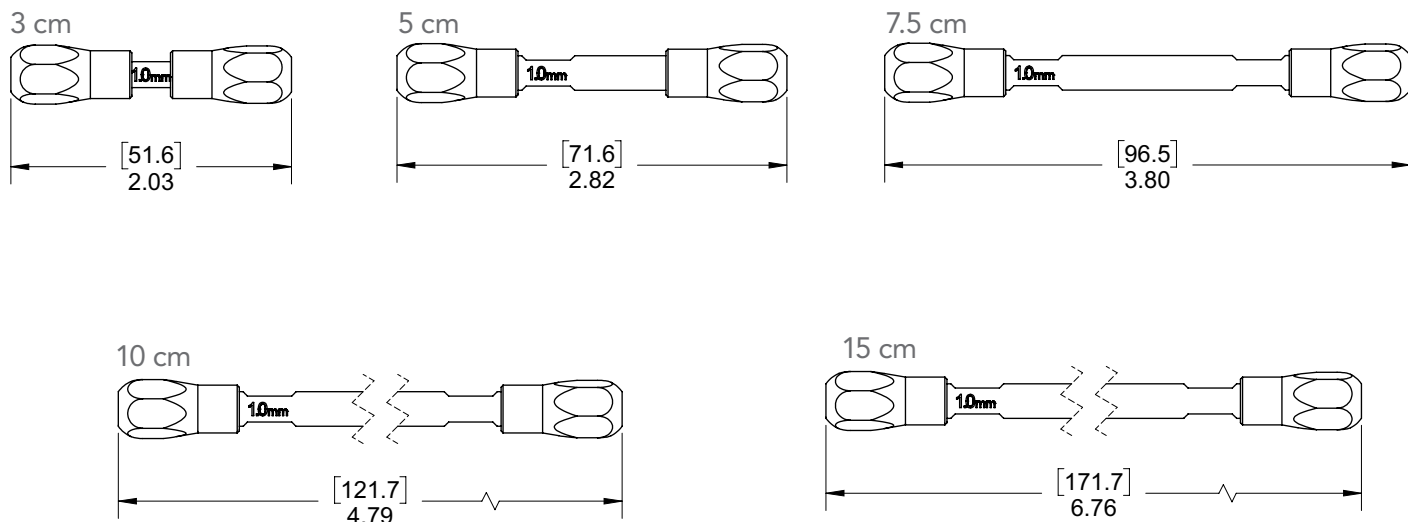
IDEX
HEALTH & SCIENCE



**BIOTECH
FLUIDICS**

Intelligent Solutions for Life®
Fluidics | Optics | Consumables | Assemblies

Assembly Dimensions and ID/Length Configuration



1mm Column

Part Number	Description	Length
5020IU-04010-015-05	1.0mm System, 0.5µm stainless steel frit	15.0cm
5020IU-04010-010-05	1.0mm System, 0.5µm stainless steel frit	10.0cm
5020IU-04010-0075-05	1.0mm System, 0.5µm stainless steel frit	7.5cm
5020IU-04010-005-05	1.0mm System, 0.5µm stainless steel frit	5.0cm
5020IU-04010-003-05	1.0mm System, 0.5µm stainless steel frit	3.0cm

Product Specifications

Column Tube Wetted Material	PEEK Lined Stainless Steel
Inner Diameter	1.0 mm
Inner Diameter Surface	Sub 4µin Ra
Frit Material	PEEK
Frit Porosity	0.5 µm
Maximum Continuous Operating Pressure	25,000 psi
Maximum Packing Pressure	40,000 psi
Maximum Temperature	Up to 80°C

REGULATORY COMPLIANCE

As of the date of the publication, 1mm Columns are compliant with current RoHS regulations.



Global Premium Distributor:
 Biotech Fluidics AB - Europe | Biotech Fluidics LLC - USA |
 Bionik Inc - Japan | www.biotechfluidics.com
info@biotechfluidics.com | +46 300 56 91 80